

BUILDING PROTECTION SYSTEMS



CORNER GUARDS

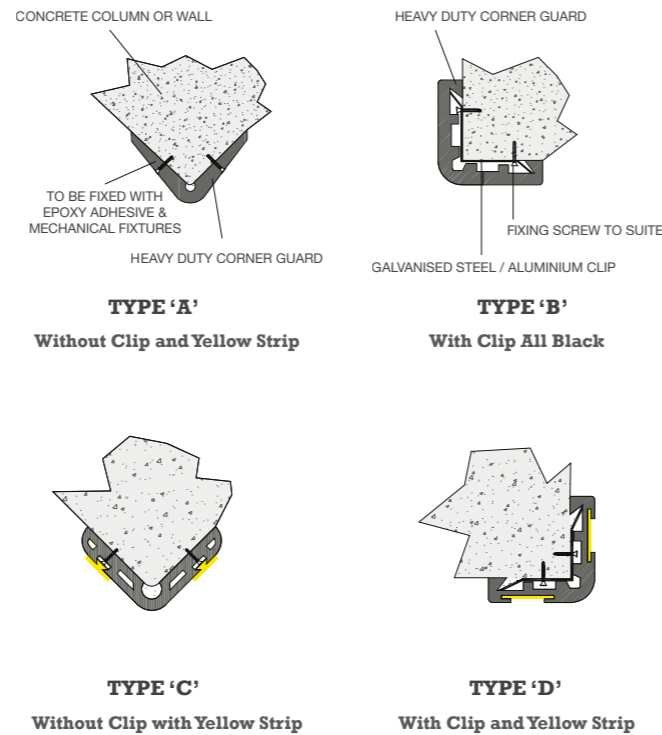
Assemble/Installation:

With Metal backup sheet:

Fix the metal backup plate on the wall by drilling 6 holes in a 'Z' formation (diagonally opposite)
Fasten with GI screw and rawl plug M6 x 40 mm
Slide the rubber profile over the fixed metal sheet to complete the fixing process.

Without Metal backup sheet:

Fix using a combination of epoxy adhesive and mechanical fasteners (GI flat head screw) size between 4-6 mm as per desired lengths



Sizes Available

Wing Size(mm)	55x55	65x65	75x75	90x90	100x100	120x120
---------------	-------	-------	-------	-------	---------	---------

Standard Lengths:	1 metre, 1.2 metre and 1.5 metre
-------------------	----------------------------------

Overall Dimensional Tolerances ± 5%

Corner Guards are designed to give drivers the maximum visibility using black and yellow stripes, the correct hazard warning colours. The solid rubber buffer's wrap-around design protects your property corners, columns and entrances that are exposed to vehicle and warehouse traffic.

The corner guards can be securely fitted to concrete or brickwork, plain or plastered.

Our corner guards come in options of all-black rubber extrusion and/or with illuminated yellow stripes on both arms of the guard.

Our corner guards are designed to take the impact from vehicular hits. While the metal retainers protect the concrete wall against impact, the rubber protects the vehicles from getting damaged.

Ismat corner guards come in a wide range to suit specific requirements.



WALL GUARDS

Sizes Available

Code	Width (A)	Thickness (B)
WG12030	120	30
WG15030	150	30
WG15050	150	50
WG20025	200	25
WG20035	200	35
WG20040	200	40
WG20050	200	50
WG200100	200	100
WG25025	250	25
WG30030	300	30
WG30040	300	40
WG30050	300	50

- All Dimensions in mm
- Available in Full Black and with Yellow strip
- Available in variable lengths

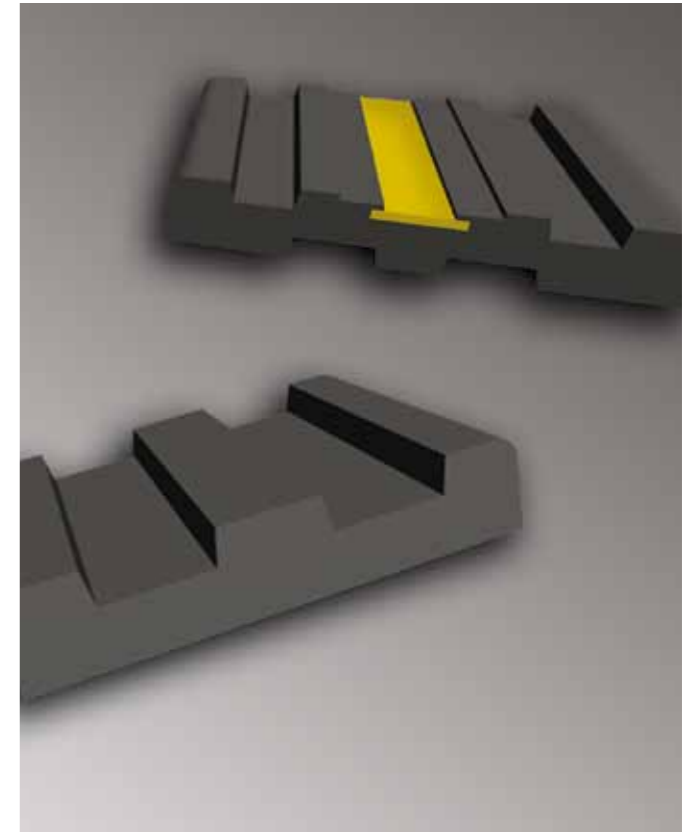
Overall Dimensional Tolerances ± 5%

A range of solid rubber Wall Guards designed to be easily and securely fixed to walls. The Guards can wrap around steel or concrete bollards, absorbing impact and reduce damage to property.

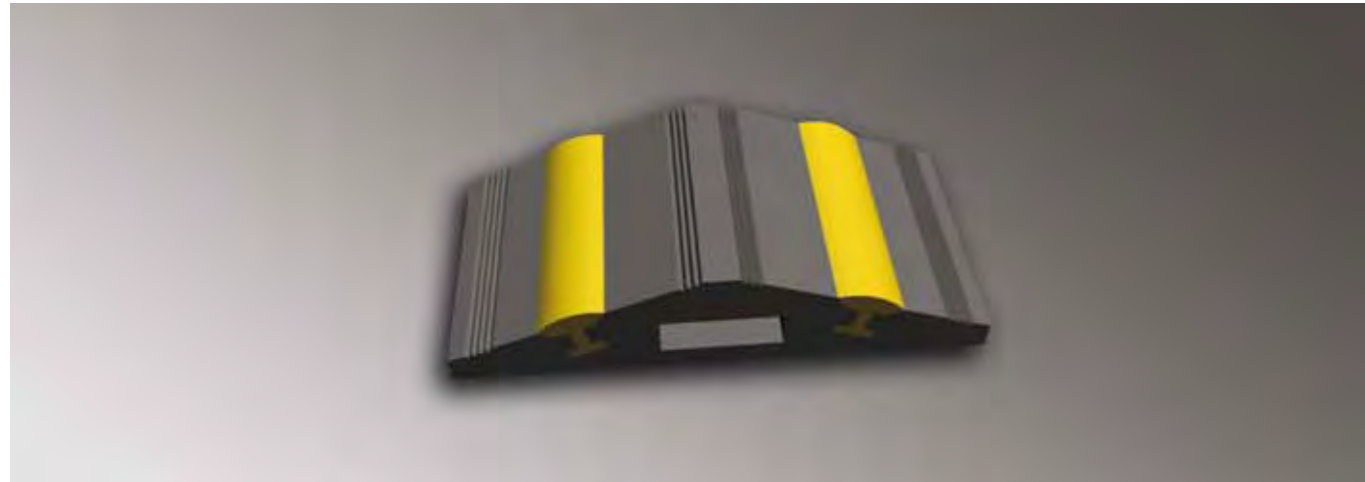
The Guard is supplied in a large range of thicknesses and widths.

The screw head is concealed in the recessed grooves, stopping any accidental damage to property or vehicles. This range of Buffers can be fixed horizontally or vertically along walls, Round columns and Ramp areas. The Wall Buffers can be fitted to many surfaces: brick, plaster, steel and concrete.

Designed to absorb impact damage in loading bays, service areas and car parks, the solid rubber guards are fixed at a distance of 500mm to accommodate the anchor bolts and reduce the risk of accidental damage. We supply the 'E' guards cut to the exact length to suit your site.



SPEED HUMPS



Sizes Available

Code	Width (A)	Length (B)	Height (C)	Speed Limit (K.M.P.H.)
SH40050050	400	500	50	10 - 15
SH40050070	400	500	70	15 - 20
SH33525050	335	250	50	10 - 15
SH30070EXT	300	On Request	70	15 - 20

*All Dimensions in mm
Overall Dimensional Tolerances $\pm 5\%$

Ismat speed humps offer the best solutions for slowing down traffic safely. Installing our ramps will reduce the risk of accidents on your site. As manufacturers, our product range gives you best quality rubber, with the longest working life.

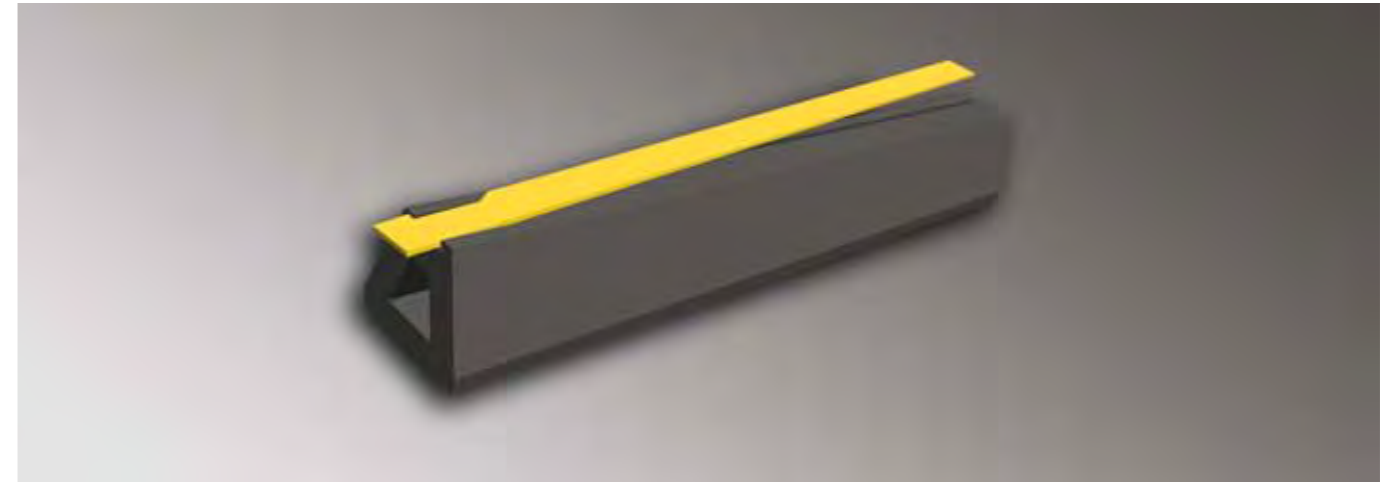
These are designed to enforce safe site speed limits slowing down all types, sizes and weights of vehicles.

Our speed humps are manufactured in Black and Yellow colour along with powerful amber reflectors which help drivers get the maximum warning and ensure that the ramps can be clearly seen 24/7.

Speed Bumps ramps have deep ribbed surfaces for extra grip and are supplied with suitable holes by our company and can be easily fixed in asphalt, concrete or block surfaces.



WHEEL STOPPERS

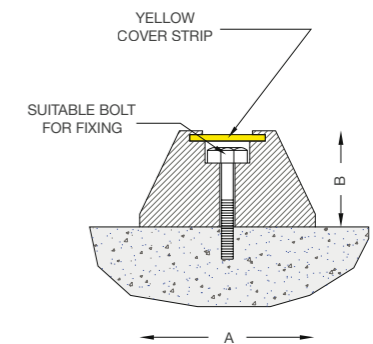


Sizes Available

Code	Width (A)	Height (B)
WS130100	130	100
WS140100	140	100
WS150130	150	130
WS200100	200	100

Available in Both Solid and Hollow Types
and in variable lengths

* All Dimensions in mm
Overall Dimensional Tolerances $\pm 5\%$

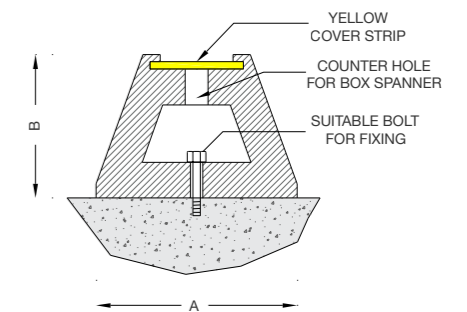


They are designed not to cause any damage to vehicles. KerbStopper Buffers give the drivers a clear warning that their rear wheels are parked correctly. They are supplied with Pre-drilled holes for concrete or asphalt installations.

The KerbStoppers reduce the risk of accidental damage to columns, concrete pillars and lighting columns, etc. KerbStopper Buffers are manufactured in solid rubber for a tough service life. The product absorbs impact and quickly recovers back to its original shape when the load is removed.

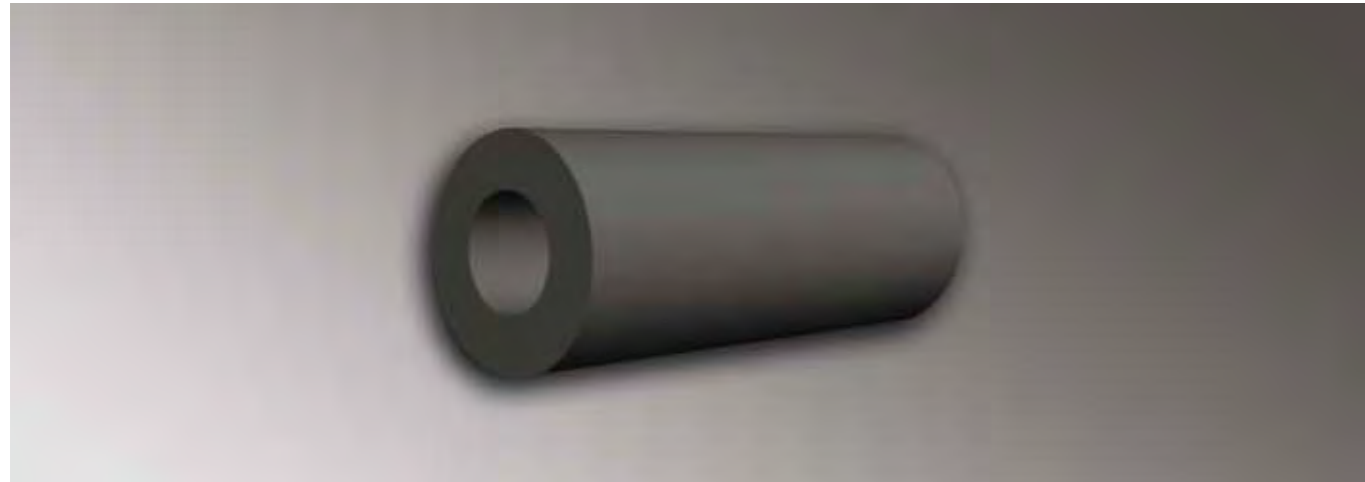
KerbStopper Buffers are cut to the exact size to suit your site plus or minus 10mm.

The product can be delivered in an all black rubber finish recommended for car parking, or black with a bright yellow stripe, the correct hazard warning colours.



(other variants available)

RUBBER CYLINDRICAL-FENDER

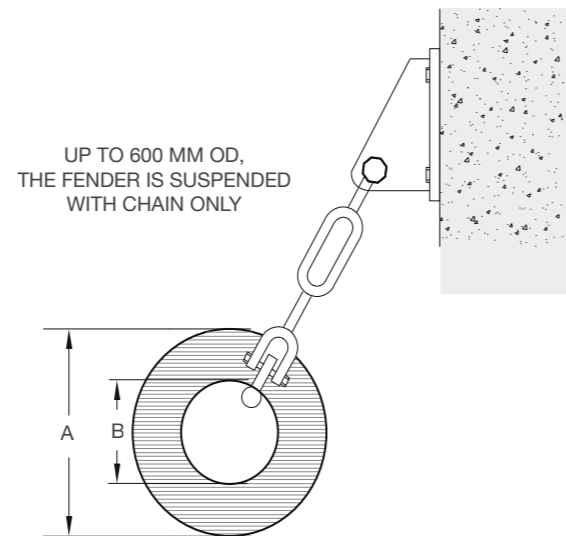


Sizes Available

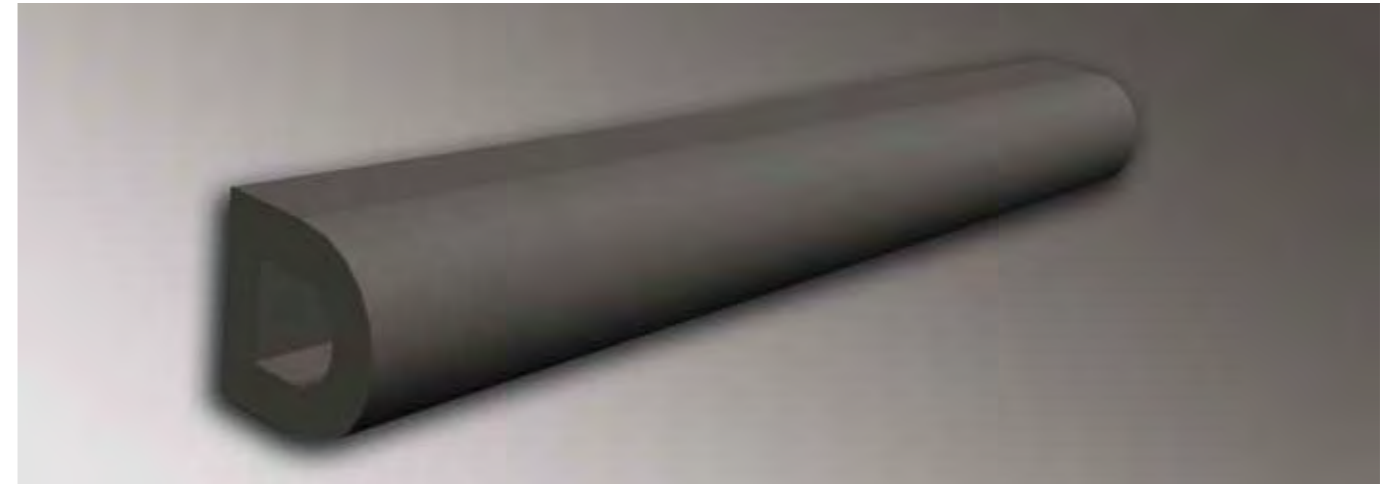
Fender Size		Max. Length
A	B	
100	50	3000
125	60	3000
150	75	3000
200	100	3000
250	125	3000
300	150	3000
400	200	3000
450	225	3000
500	250	3000
600	300	3000

The table and Technical specifications above cover our standard sizes and specifications only; however, we can design and build to suit customers' individual requirements.

* All Dimensions in mm
Overall Dimensional Tolerances $\pm 5\%$



RUBBER D-FENDER

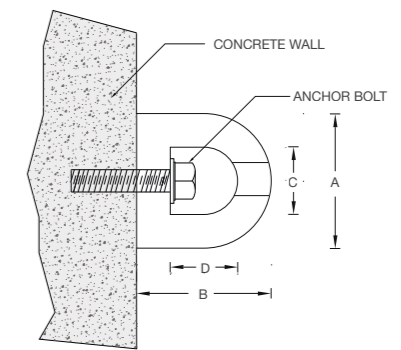


Sizes Available

Fender Size		Bore Size		Max. Length
A	B	C	D	
75	75	40	40	3000
100	100	50	50	3000
125	125	65	65	3000
150	150	75	75	3000
200	200	100	100	3000
250	250	125	125	3000
300	300	150	150	3000

The table and Technical specifications above cover our standard sizes and specifications only; however, we can design and build to suit customers' individual requirements.

* All Dimensions in mm
Overall Dimensional Tolerances $\pm 5\%$



Ismat Fenders are simple, constant cross-section profiles used for a variety of general purpose applications. They are available in many different shapes and sizes, though D-type with "D" or circular bores and cylindrical types are the most common.

Available in long or short lengths, Fenders can be cut, drilled and even pre-curved.



BPS: TECHNICAL SPECIFICATIONS

Polymer : SBR/EPDM				
s/n	Test Name (Description)	Test Method	Unit	Spec.(Limit)
1	Hardness	ASTM D 2240-97	Shore A	70±5
2	Tensile Strength	ASTM D412-98a	Kg/cm ²	70 Min
3	Elongation @ Break	ASTM D412-98a	%	200 Min
4	Compression Set (70°C / 22h)	ASTM D395-98	%	35 Max
5	Specific Gravity	-	-	1.50 ± 0.1

- Fair Ozone Resistance
- Fair Weather Resistance
- Working temp up to 60°C

RUBBER FENDER: TECHNICAL SPECIFICATIONS

Polymer: Marine Grade NR/EPDM				
s/n	Test Name (Description)	Test Method	Unit	Spec.(Limit)
1	Hardness	ASTM D 2240-97	Shore A	65±5
2	Tensile Strength	ASTM D412-98a	Kg/cm ²	90 - 125
3	Elongation @ Break	ASTM D412-98a	%	200 - 300
4	Tear Strength	ASTM D 624	Kg/cm	20 - 30
5	Compression Set (70°C / 22h)	ASTM D395-98	%	32 Max
6	Specific Gravity	-	-	1.25 - 1.40 ± 0.2

- Good Weather Resistance
- Good Ozone Resistance
- Good Sea Water Resistance
- Chemical Resistant (Acid & Alkali)
- Working temp -30°C to 120°C



ZAYAANCO

Suite No. 704, Orange Tower,
Next to National Paint Factory, P. O. Box
72936, Sharjah, U.A.E.
Hotline : +971 5555 6 4004
Tel No. : +971 6 569 17 57
info@zayaanco.com, www.zayaanco.com

Rubber wheel stopper supplier dubai I Parking space solution dubai I Kerb stopper supplier sharjah I Wheel stopper suppliers dubai I Wheel stopper manufacturers sharjah I Rubber wheel chokes supplier sharjah I Car stopper stockiest sharjah I Slip stopper stockiest dubai I Wheel wedge supplier abu dhabi I Bumper guard supplier Sharjah I Wholesale rubber stopper suppliers dubai I Parking wheel blocks supplier abu dhabi I Wheel chokes dubai I Rubber vehicle stopper dubai I Wheel chokes traders Dubai I Wall guards stockiest sharjah I Rubber corner guards supplier dubai I Speed humps in UAE I Divider barrier uae I Speed breakers in Dubai I Speed humps in UAE I Speed breaker supplier I Speed breaker Installer in Dubai I Solid rubber speed humps supplier Sharjah I Reflective rubber speed humps traders dubai I Safety bollards suppliers sharjah I Rubber wall protector dubai I Plastic rubber wall protector sharjah I Rubber wall protection rail companies sharjah I Corner protectors abu dhabi I Rubber corner guards in Dubai I Parking corner guard rak I Reflective corner guards fujairah I Stair noising supplier dubai I Angles supplier sharjah I Corners and angles dubai I Universal adapting profiles dubai I Edge trims supplier sharjah I Stair rods with end stops supplier sharjah I Triangular stair rod clips in sharjah I Stair road eye in Sharjah I