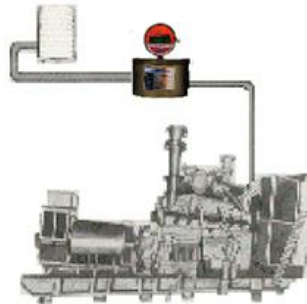
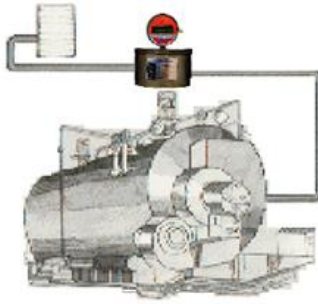


HIGH VISCOS LIQUIDS Upto 5000 Centipoise



With Flange Connection

Integral Mounted



INTRODUCTION

The **CBRO** Flow Measurement Industrial Oval Gear Meter is a low-flow, positive displacement flow meter designed for clean fluids. The Industrial Oval Gear Meter is unaffected by shifts in output due to viscosity variance, making it an ideal choice for use with lubricating oil, paint, epoxies, greases, polyurethane, additives, syrups, glue, hydraulic oil and any fluid compatible with the materials of construction.

The Industrial Oval Gear Meter is best suited for fluids with a viscosity range between 5 to 1200 Cps and does not require flow straighteners upstream or downstream. The oval meter design minimizes slippage between the gears and the measuring chamber wall. As a result, the meter is less affected than other designs by the liquid's viscosity and lubricity.

Exceptional repeatability of $\pm 0.05\%$ and linearity within $\pm 0.5\%$ over a wide operating range make this oval gear meter an excellent choice for precision blending or metering. The design offers durable construction with 1/2" NPT process ports or flange adapters. The meter is equipped with an Weatherproof / Explosion-proof terminal enclosure and Intrinsically Safe approvals, meeting the needs of hazardous area locations.

BENEFITS

- ➔ In-house Test & Calibrations
- ➔ Highly Repeatable: $\pm 0.05\%$
- ➔ Dependable Accuracy: $\pm 0.5\%$ Or Better
- ➔ Exceptionally Repeatable Over A Wide Range Of Viscosities
- ➔ No Flow Straighteners Required
- ➔ Able To Run Various Fluids Without Loss Of Calibration
- ➔ Choice Of Registers And Signal Outputs

FEATURES

- ➔ Indicate Total Fuel Consumption
- ➔ Indicate Total Fuel Supply Toward Engine
- ➔ Indicate Total Fuel Return From Engine
- ➔ Indicate Time Of Fuel Supply And Return
- ➔ Suitable With All Diesel Engine
- ➔ Flow Range From 5 L/hour To 120 Liter/hour
- ➔ On Board Power Supply From Vehicle-12 Vdc

APPLICATIONS

- ➔ Diesel
- ➔ Petrol
- ➔ LDO , HDO
- ➔ Vegetable Oil.
- ➔ Hydraulic Oil
- ➔ Furnace Oil
- ➔ Crude Oil
- ➔ Grease Oil
- ➔ Oil Viscosity upto 5000 cps