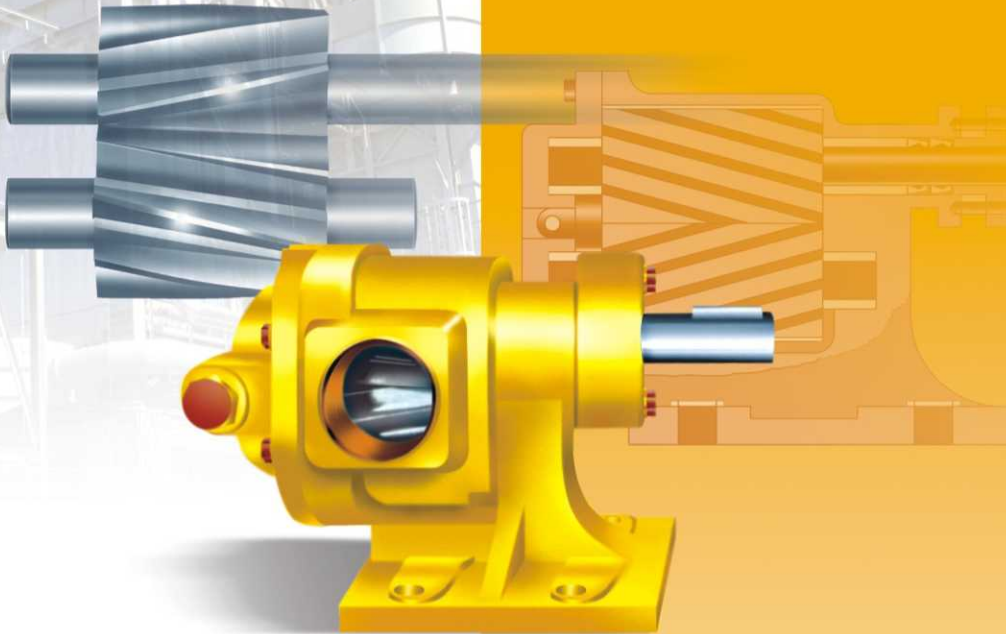




the most
dependable range of
positive displacement
pumps



External gear pump REG

Applications

Rovar external gear pumps are ideally suited for general liquid transfer, tankers / wagons loading & unloading, forced feed lubrication, booster pumps, circulation, etc.

Typical liquid list

Petroleum : asphalt, crude oil, coal tar, ethylene glycol, etc.

Paint : pigments, printing inks, enamel, lacquers, resins, varnish, etc.

Oil : fuel oils like LDO, LSHS, FO, lube oils, grease, transformer oils, etc.

Food : edible oils, molasses, starch, sugar syrups, glucose, juices, etc.

Pharma : ointment, formulations, etc.

Detergents : surfactants, LAB, etc.

Range

Capacity : upto 2150 lpm
Pressure : upto 20kg / cm²
Temperature : for standard pumps 90 °C & special pumps upto 275 °C

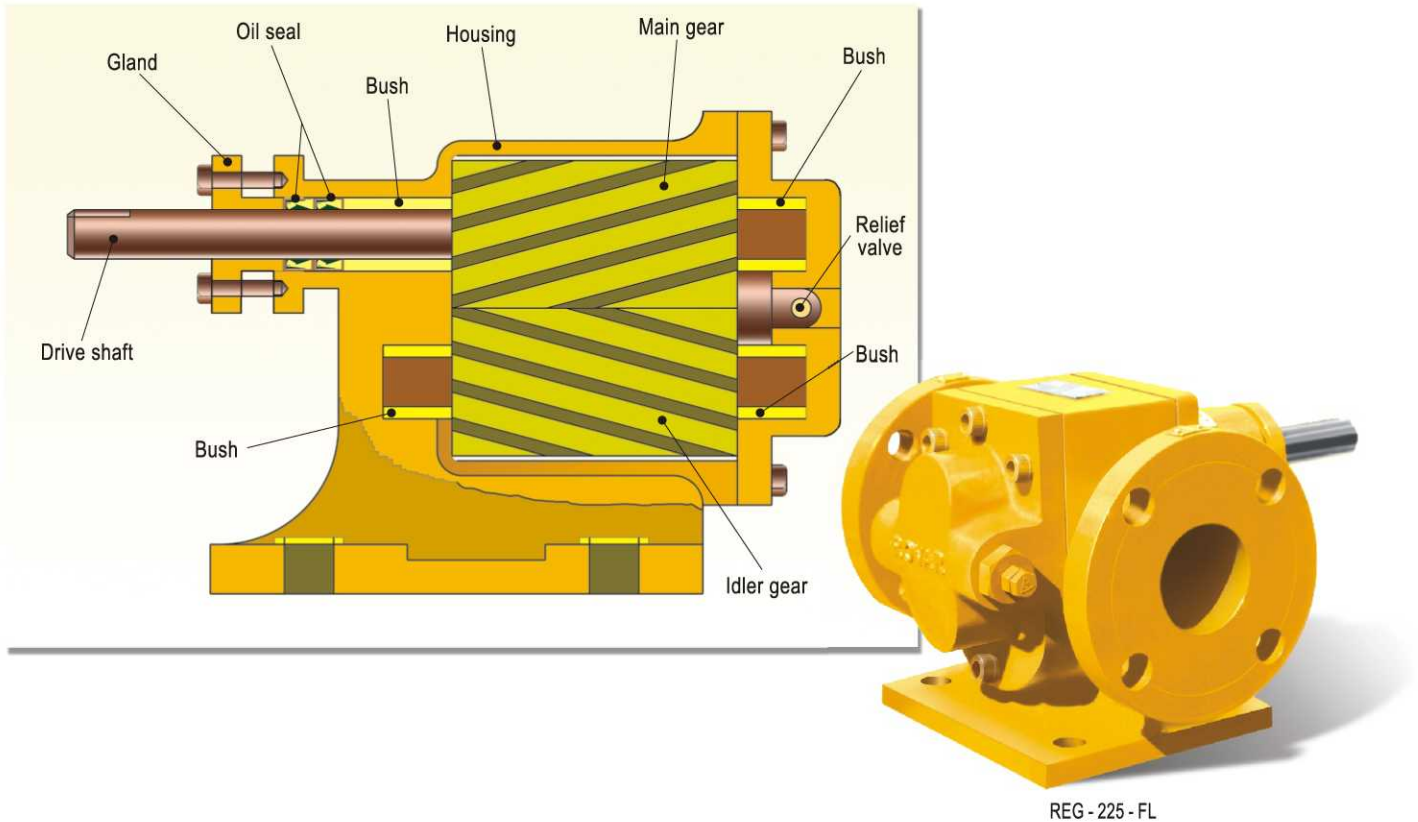
Material of Construction :

Standard : casing in CI, gears in EN-8HG

Features

- Smooth running helical gears
- Long enduring wearing surfaces
- Built in safety relief valve
- Jacketed version where pre-heating is required
- Option of mechanical seal
- Various drive options

Cross sectional view



REG - 225 - FL

Performance of REG series

Model	Pressure in kg / cm ²	2	5	10	15	20	RPM	Suc x Dis.
REG - 05	lpm / kW	4.8 / 0.24	4.6 / 0.30	4 / 0.39	3.85 / 0.45	3.5 / 0.56	1440	1/8" X 1/8"
REG - 10	lpm / kW	10 / 0.32	10 / 0.49	9.8 / 0.68	9.10 / 0.71	9 / 0.81	1440	3/8" X 3/8"
REG - 20	lpm / kW	20.8 / 0.33	20 / 0.62	19.80 / 0.90	19 / 1.30	18.20 / 1.90	1440	1/2" X 1/2"
REG - 50	lpm / kW	51 / 0.37	50 / 0.70	49.40 / 1.20	47 / 1.4	46 / 1.58	1440	1" X 1"
REG - 75	lpm / kW	75 / 0.73	74.5 / 1.09	73.5 / 1.90	72 / 1.85	70 / 2.20	1440	1 1/4" X 1 1/4"
REG - 110	lpm / kW	110 / 1.04	109 / 1.95	107.5 / 2.50	106 / 3.02	105 / 3.60	1440	1 1/2" X 1 1/2"
REG - 225	lpm / kW	225 / 2.10	224 / 2.90	223.5 / 3.90	222 / 5.30	220 / 6.90	1440	2" X 2"
REG - 350	lpm / kW	350 / 3.65	348 / 5.2	343 / 7.40	335 / 10.8	326 / 14.80	1440	2 1/2" X 2 1/2"
REG - 550	lpm / kW	550 / 6.58	546 / 8.75	540 / 13.70	-	-	1440	3" X 3"
REG - 750 FL*	lpm / kW	750 / 9.12	744 / 12.8	740 / 14.70	-	-	1440	3" X 3"
REG - 1100FL*	lpm / kW	1100 / 11.10	1080 / 14.89	1050 / 20.45	-	-	1440	4" X 4"
REG - 1650FL*	lpm / kW	1650 / 18.40	1620 / 29.84	1590 / 43.8	-	-	1440	4" X 4"
REG - 2150FL*	lpm / kW	2150 / 21.08	2120 / 37.30	2100 / 51.80	-	-	1440	6" X 6"
REG - 2500FL*	lpm / kW	2650 / 32	2630 / 45	2600 / 64	-	-	1440	6" X 6"
REG - 3500FL*	lpm / kW	3700 / 43	3670 / 64	3640 / 85	-	-	1440	8" X 8"

* Flanged connections

The company reserves the right to change any specification without prior notice

An ISO 9001:2008 certified company



Manufactured by
ROVAR PUMPS PRIVATE LIMITED
 Shinoli - 416 507 Maharashtra India
 Website : www.rovarpumps.com



Your area dealer

Mktg. offices
BELGAUM
 2nd Floor, 'B' Wing,
 'Geetanjali Plaza' (behind Axis Bank),
 21-2, Khanapur Road, Angol,
 Belgaum - 590 006 India.
 Tel.: +91-831-2485 450, 4201 063.
 Fax: +91-831-2485 451.
 E-mail : sales@rovarpumps.com

CHENNAI
 No. 10, 1st Floor,
 602, Annasalai,
 Chennai - 600 006 India
 Tel.: +91-44-2822 4170